

stainless steel brackets size 1 - 4 for sensor and limit switch boxes

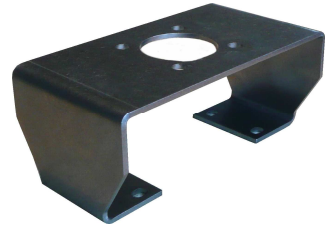
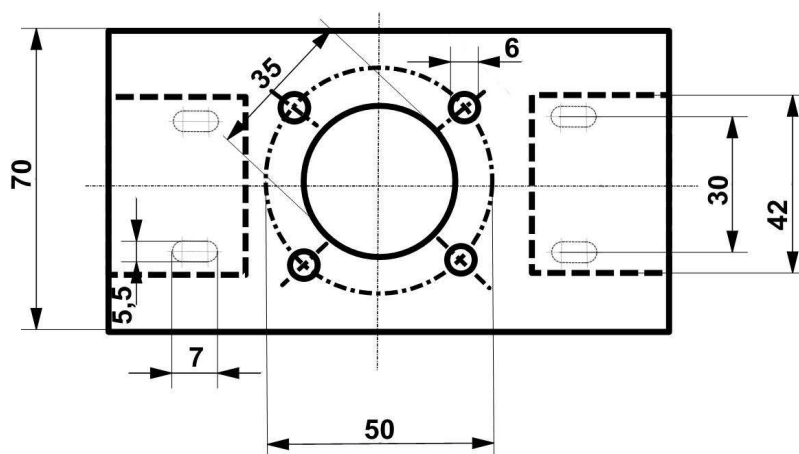
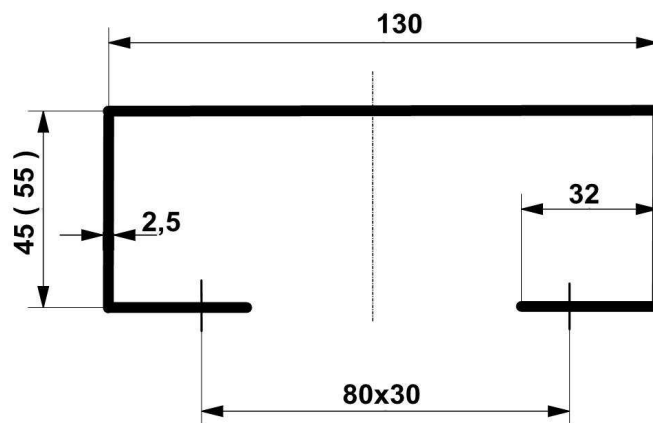


image.: brackets size 1 - 2 for actuators acc. to VDI/VDE 3845, steam high 20mm and 30mm, hole spacing 80x30mm

dimensions: without () = bracket size 1 () = bracket size 2



material = stainless steel A2

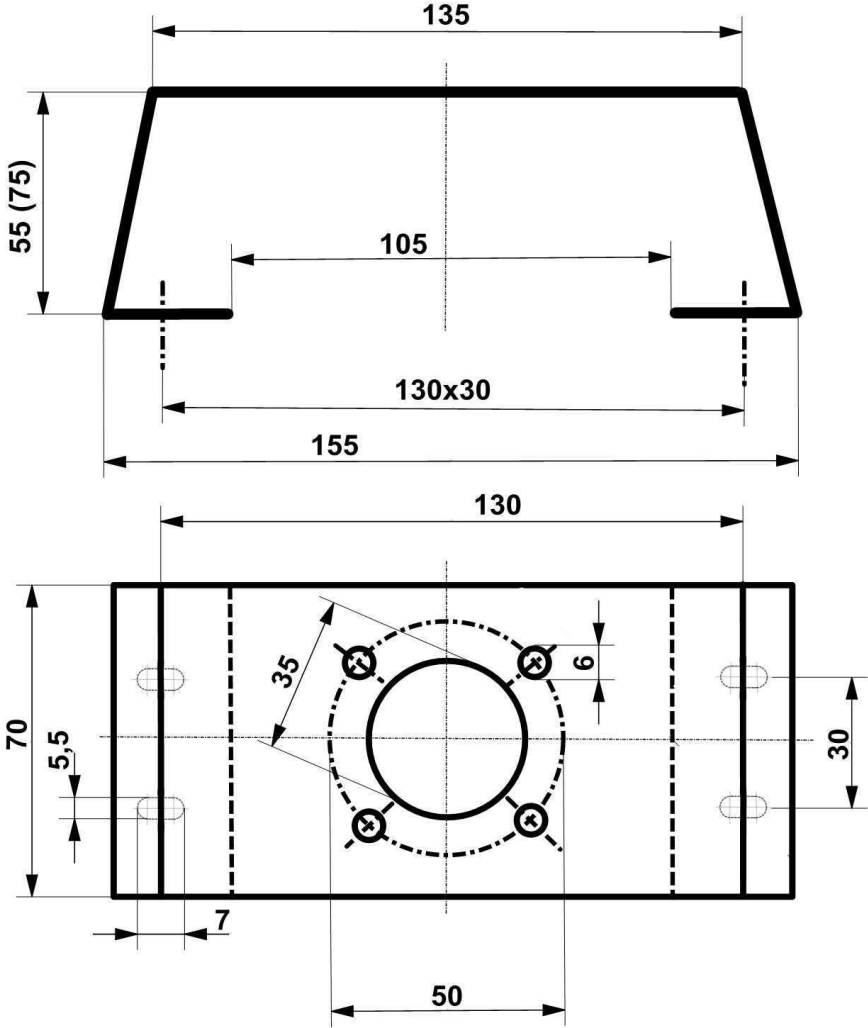
RAUTER

Sensor-Boxes



image.: brackets size 3 - 4 for actuators acc. to VDI/VDE 3845, steam high 30mm and 50mm, hole spacing 130x30mm

dimensions: without () = bracket size 3 () = bracket size 4



material = stainless steel A2