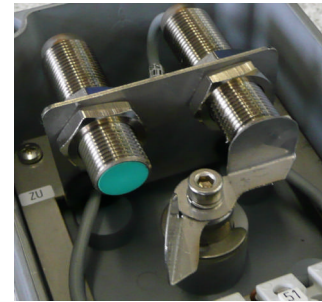


# RAUTER

Sensor-Boxes

## 24V linear limit switch box



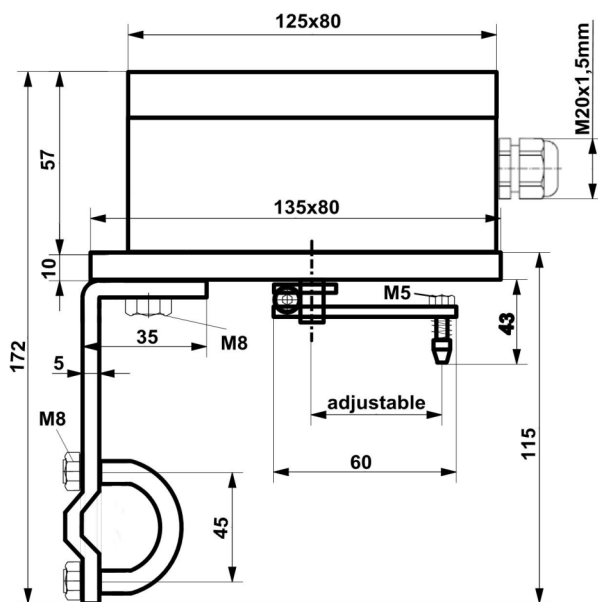
for example **Pepperl+Fuchs NCB2-12GM40-Z0**

### technical data limit switch box

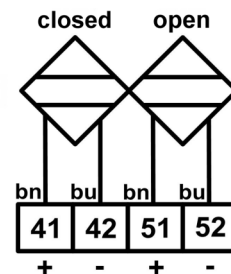
temperature range	- 20°C ≤ T <sub>a</sub> ≤ + 70°C
protection class	IP 65
material housing	AL = aluminium ALSi-12, grey RAL 7001
dimensions housing	125x80x57mm
cable gland	M20x1,5mm plastic grey, Ø 13-8,0mm
weight without mounting set	0,5 kg
option	membrane vent for avoidance of condensation water r
mounting set connection	F05 slot
actuator connection	mounting set for linear actuators acc. to IEC 534

### technical data limit switches

sensor type	Pepperl+Fuchs NCB2-12GM40-Z0
voltage	5 - 60V DC
current	2 ... 100mA
switching frequency	0 ... 800Hz
switching range	0° + 90° or adjustable
output wire	2-wire
switching function	Normally open = NO
output polarity	DC



dimension



wiring diagram